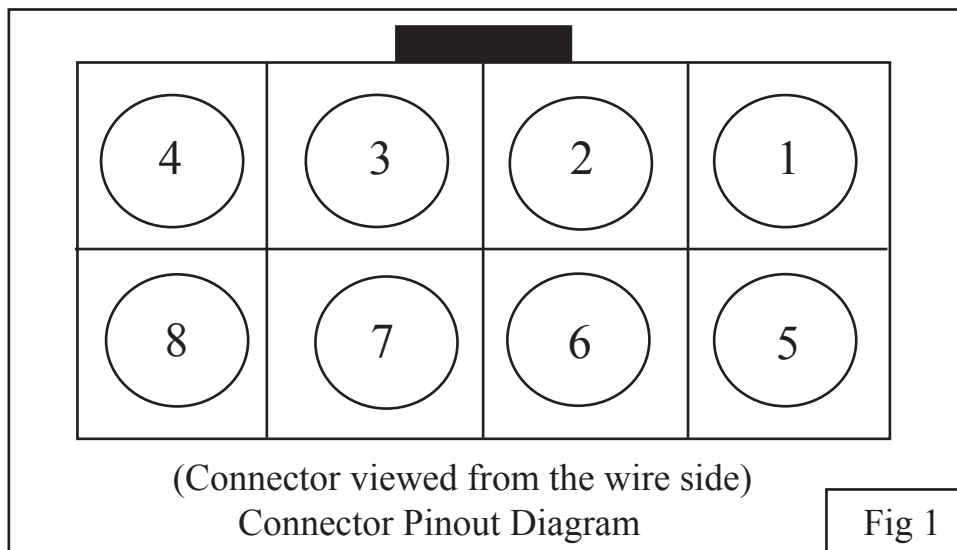


# Cable Pinout Instructions for the 999-0836 Universal Gun Kit Type II (I/R Games)

## (Also applies to the Universal Type II Harness Kit Sega P/N 999-0857)

***Do not Install your new gun or cable without reading this first !!!***

Sega currently sell 5 different versions of replacement gun harnesses in the Type II Universal Gun Kit (Sega Part Number 999-0836). To install the harness properly, you **MUST** follow the instructions below.



1. Open package and view the harness attached to the 999-0836 Universal Gun Kit.
2. Note the number of wires and the color of each wire from step 1. See Table 1 to find which version of harness you have (Version One to Version Five). *This table applies to the harness on your new gun, and NOT what is in game.*
3. Attach the wires to either the Red or Blue Connector received in your kit. Use the color connector that matches your original gun that is being replaced. (See Fig 1)

				Table 1					
Version One		Version Two		Version Three		Version Four		Version Five	
Pin One	Red	Pin One	Red	Pin One	Red	Pin One	Red	Pin One	Red
Pin Two	Blue	Pin Two	Blue	Pin Two	Blue	Pin Two	Blue	Pin Two	Blue
Pin Three	Yellow	Pin Three	Yellow	Pin Three	Yellow	Pin Three	Yellow	Pin Three	Yellow
Pin Four	Green	Pin Four	Green	Pin Four	Green	Pin Four	Green	Pin Four	Green
Pin Five	Orange	Pin Five	Orange	Pin Five	Orange	Pin Five	Orange	Pin Five	Orange
Pin Six	Small Black	Pin Six	Small Black	Pin Six	Small Black	Pin Six	Small Black	Pin Six	Small Black
Pin Seven	Brown	Pin Seven	Large Black	Pin Seven	Large Black	Pin Seven	Brown	Pin Seven	Brown
Pin Eight	Large Black	Pin Eight	N/C	Pin Eight	White	Pin Eight	Green/Yellow	Pin Eight	N/C